

# PSR-18/12V/8.5A-RACK



The PSR-18/12V/8.5A-RACK is designed to power devices and systems, which require DC 12V voltage and max. total current of 8.5A.

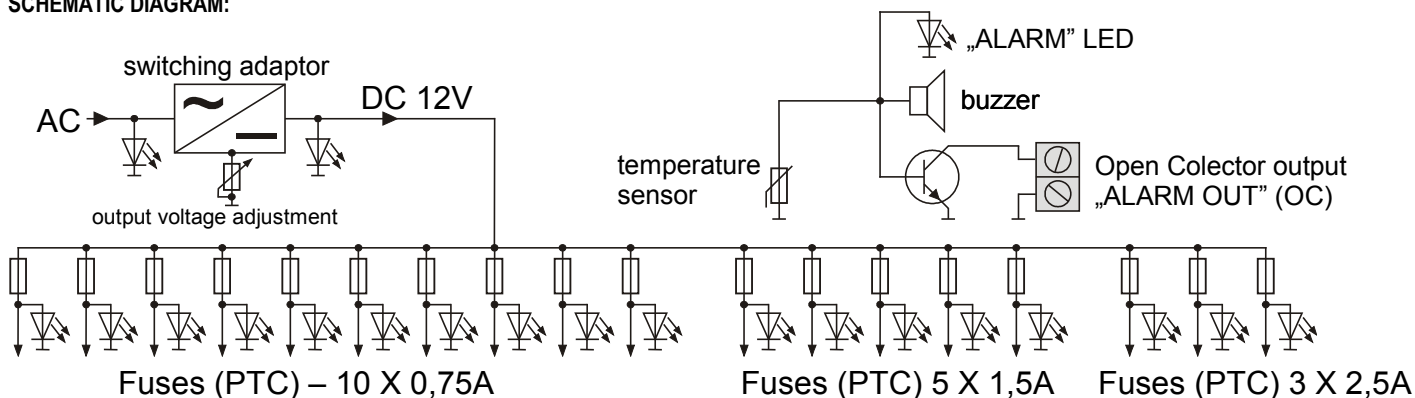
## Main features:

- 18 outputs protected by polymer fuses (PTC): 10 x 0.75A, 5 x 1.5A and 3 x 2.5A,
- DC 12V output voltage adjustment in range: from 11.4V to 13.2V,
- the device is equipped with modern high quality switching adaptor module with active PFC,
- forced cooling – built-in DC fan cooler with speed electronic adjustment,
- built-in temperature sensor:

above 45°C alarm is activated:

- red „ALARM” LED is blinking,
- the acoustic alarm (buzzer) is activated – intermittent signal,
- Open Colector output is on.

## SCHEMATIC DIAGRAM:



Each output is protected by polymer fuse and has indication of output voltage (the corresponding LED glows when the voltage is present at the output). If one of the outputs is overloaded, the resistance and the temperature of the polymer fuse will increase (>100°C), and the corresponding LED indicator will not glow. Through the heat fuse flows very small current. After the end of overloading an output, the fuse itself returns to the previous state.

## SPECIFICATIONS:

AC power voltage / Frequency	85 ~ 264V AC / 47 ~ 63Hz
Input current	0,75A/230VAC, 1,7A/115VAC
PFC (active)	PF > 0,95
Output voltage	12V DC
Output voltage adjustment	11,4 ~ 13,2V
Max. total current	8,5A
Outputs protection	18 polymer fuses PTC: 10x0,75A 5x1,5A 3x2,5A
Output power	102W
Temperature alarm level	> 45°C
Over temperature alarm indication	optical (LED), acoustic (buzzer), Open Colector (OC) output
„ALARM OUT” (OC) output load	50mA max.
Cooling	DC fan cooler with speed adjustment built-in
DC output connectors type	Cable terminals
Case type	RACK 19”, 1RU
Operation temp. / Relative humidity	From -10°C to +40°C / <90%
Dimensions (W x H x D) / Weight	483x44x130 mm / 1580g

## SAFETY WARNINGS:

- Connect and disconnect all external components when the power is off, after removing the ~AC power cord from the power outlet.
- **Never connect the power adaptor to the installation without grounding.**
- Do not use the device in humid, threatening flooding, high temperatures and in dusty, dirty areas.
- Do not make any arbitrary alterations, repairs or modifications of the power adaptor.
- Do not touch the device during operation.
- Due to the Y class capacitors used inside power adaptor, the leakage current of the adaptor is < 1.5mA / 240VAC.